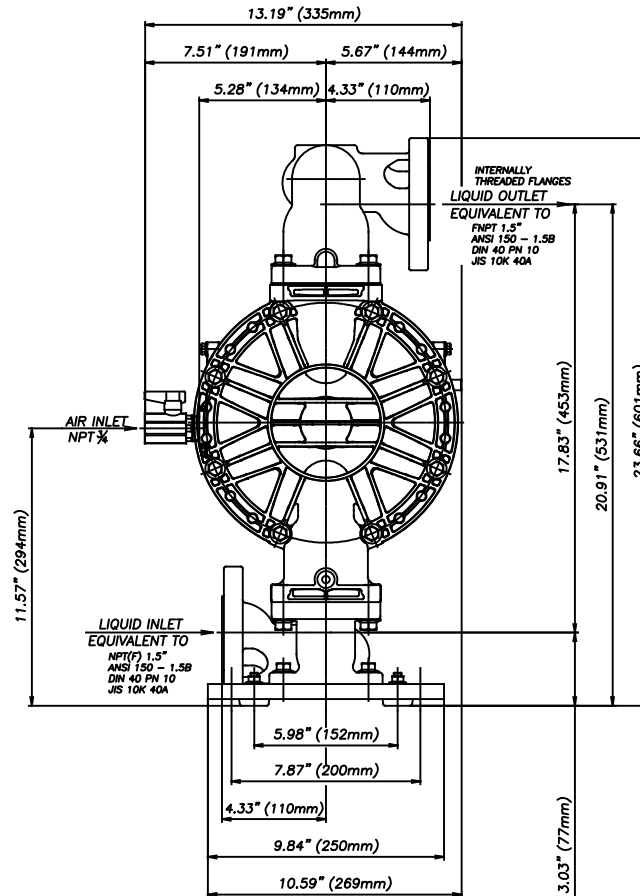
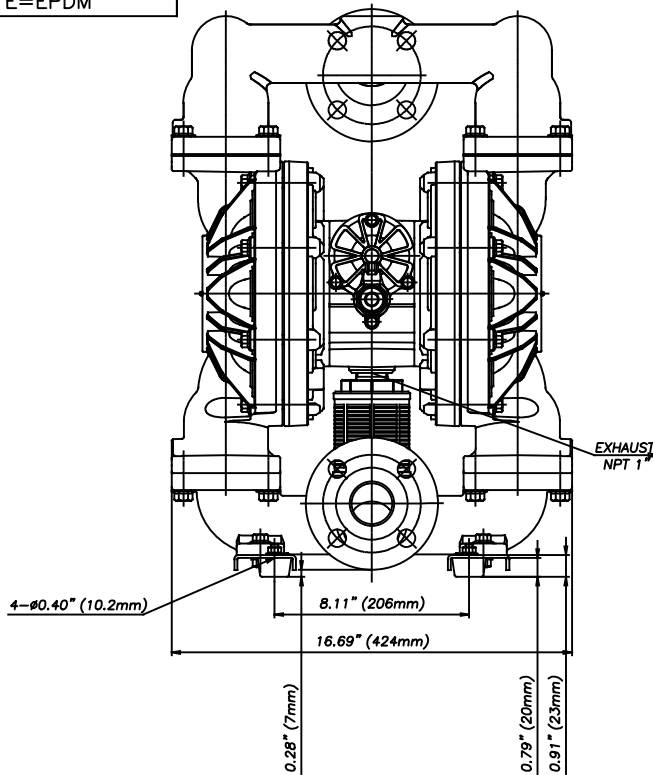


Materials of Construction


PUMP BODY MATERIAL	A=AL
	F=Cast Iron
	S=SUS
DIAPHRAGM MATERIAL	C=CR
	N=NBR
	T=PTFE
	H=TPEE
	S=TPO
	V=FKM
E=EPDM	

REVISIONS

REV	DESCRIPTION	DATE	APPROVED
A	RELEASED	01/15/2026	JP



NOTES:
1. SOME FEATURES MAY VARY SLIGHTLY.

PROPRIETARY THIS DRAWING CONTAINS CONFIDENTIAL INFORMATION PROPRIETARY TO IWAKI AMERICA. IT MUST NOT BE REPRODUCED OR FORWARDED TO OTHERS OR USED IN ANY OTHER WAY, IN WHOLE OR IN PART, UNLESS AUTHORIZED IN WRITING BY IWAKI AMERICA.		TOLERANCES DIMENSIONS IN INCHES (MM) UNLESS OTHERWISE NOTED X = .050 .XX = .010 .XXX = .005 DEBURR AND BREAK ALL SHARP EDGES		 www.IwakiAir.com		5 Boynton Rd. Hopping Brook Park Holliston, MA 01746 (508) 429-1440				
MATERIAL: SEE CHART				SIZE: B		DWG NO.: TC-X00202		DESCRIPTION: TC-X400A/F/S_A		REV: A
BY: BA		DATE: 01/15/2026		SCALE: FULL		THIRD ANGLE PROJECTION		SHEET: 1 OF 1		
APPROVED: JP		DATE: 01/15/2026								